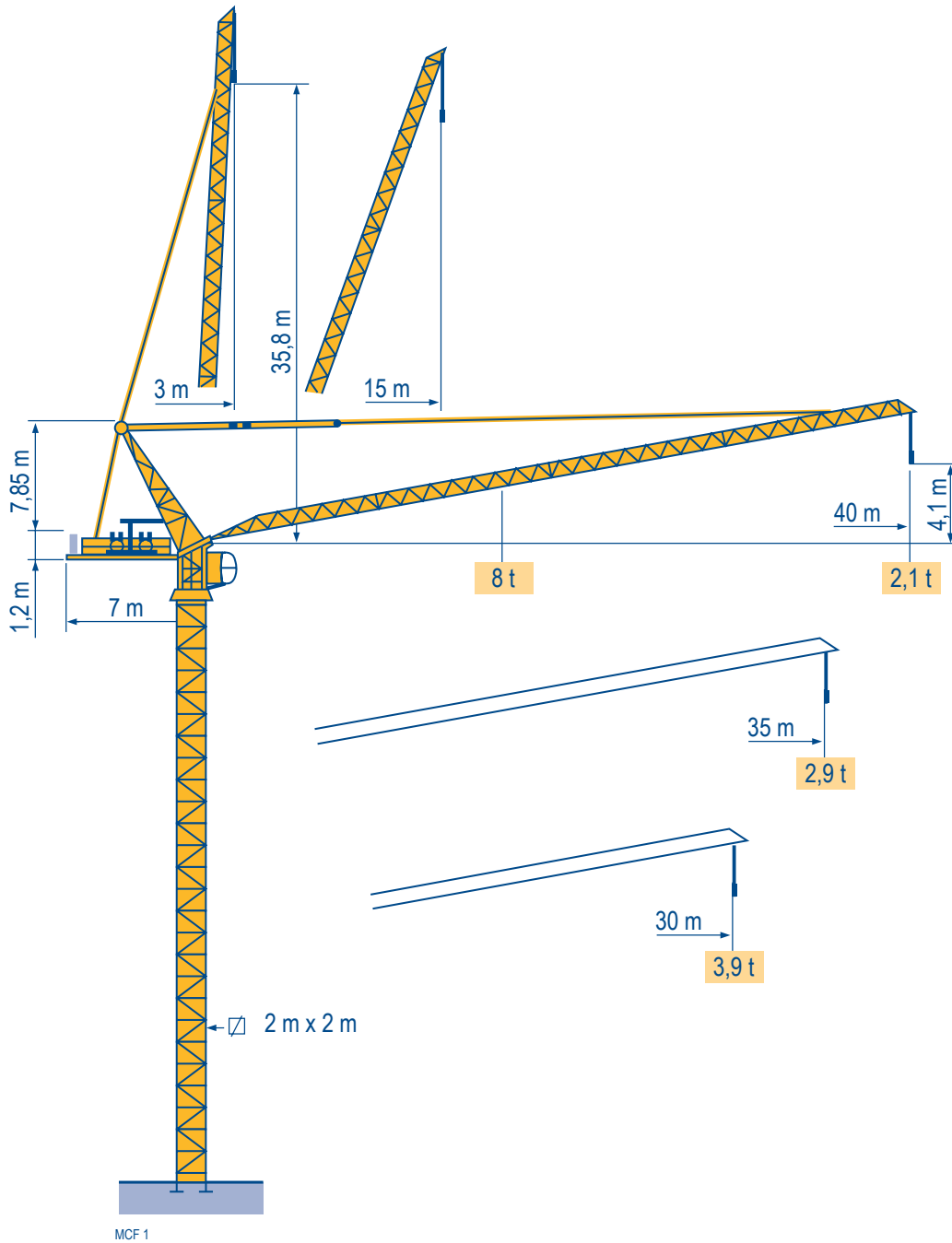


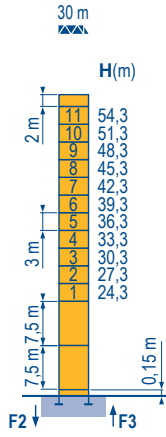
MR 90 B P21A



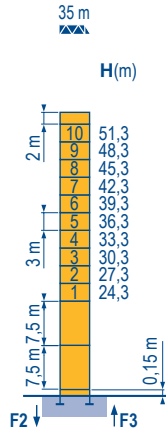
Masts / Reactions

MCF 1

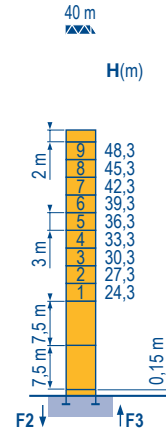
Telescopic 2 m



| P 21 A | |
|--------|---------|
| F2 | ● 110 t |
| | ■ 213 t |
| F3 | ● 75 t |
| | ■ 182 t |
| | ▲ 53 t |



| P 21 A | |
|--------|---------|
| F2 | ● 110 t |
| | ■ 213 t |
| F3 | ● 75 t |
| | ■ 182 t |
| | ▲ 51 t |

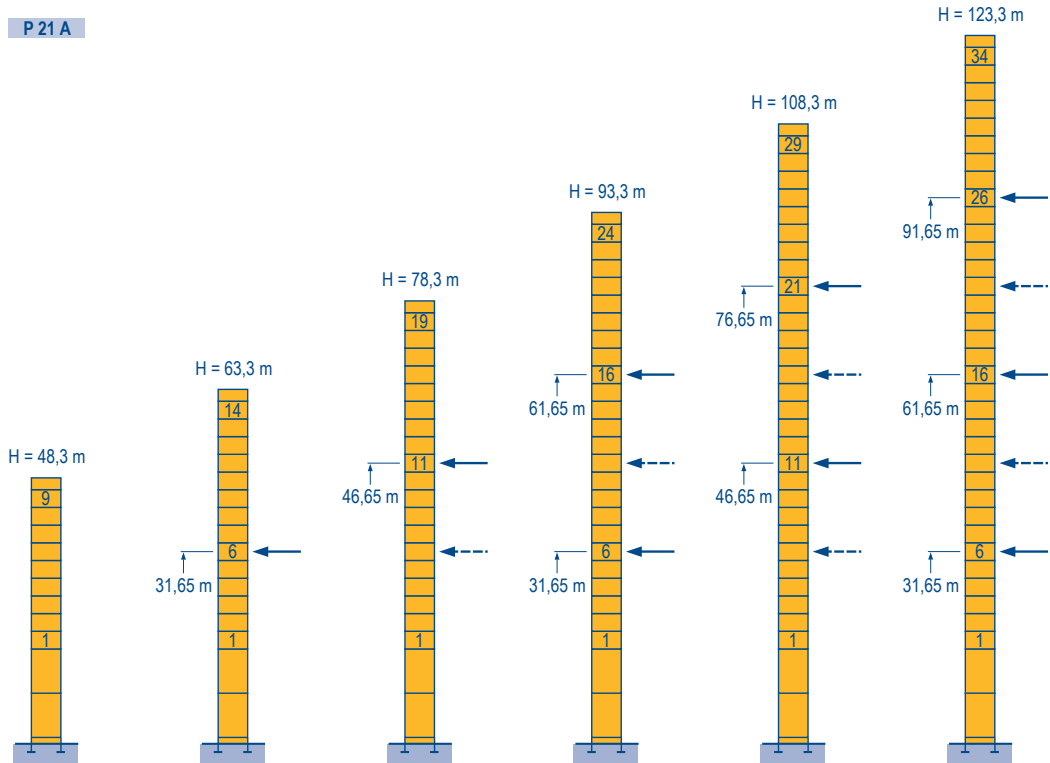


| P 21 A | |
|--------|---------|
| F2 | ● 109 t |
| | ■ 211 t |
| F3 | ● 75 t |
| | ■ 181 t |
| | ▲ 50 t |



Jib = 40 m

P 21 A



MR 90 B P21A

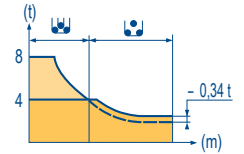
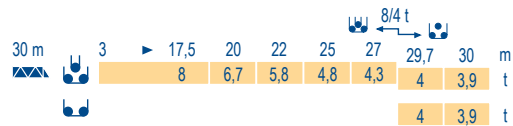
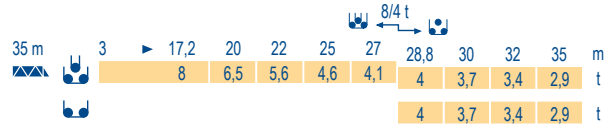
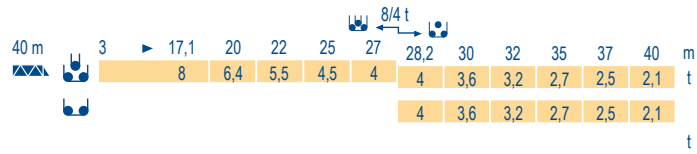
POTAIN

GB

- Reactions in service
- Reactions out of service
- ▲ Without load, ballast (or transport axles), with maximum jib and maximum height.

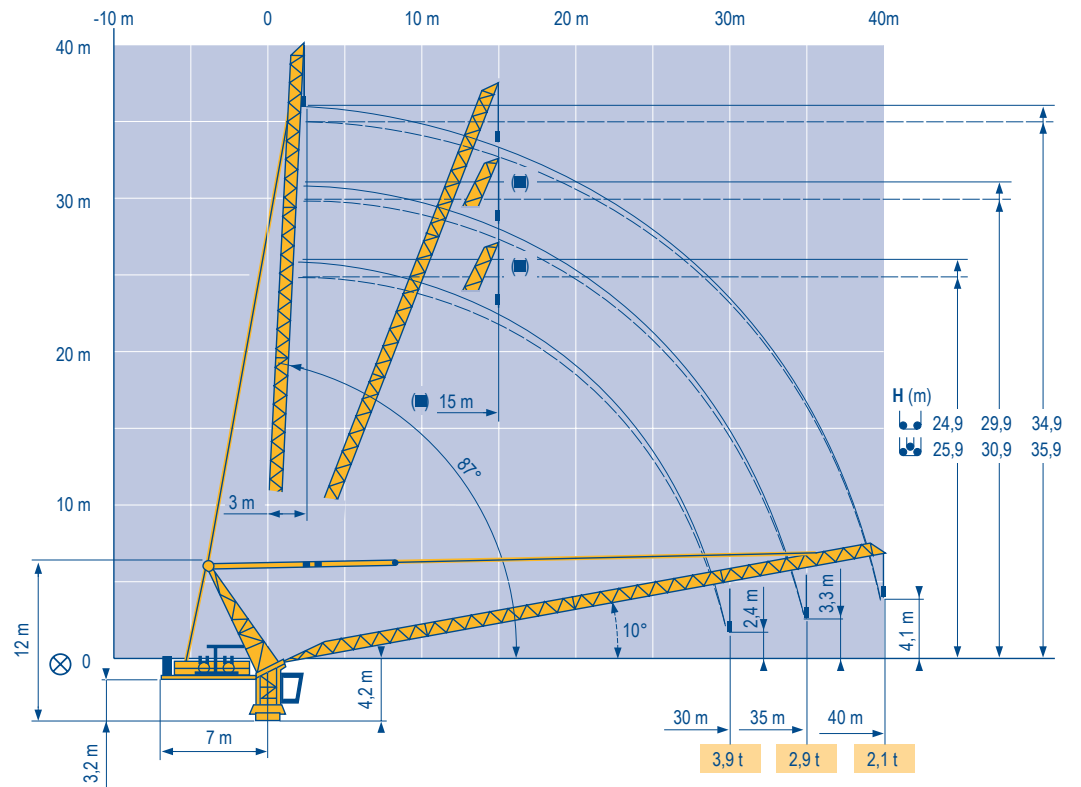
Load diagrams

MCF 1



Luffing jib

MCF 1



MR 90 B P21A

POTAIN

GB



Jib hinge shaft

Weather vaning position

Mechanisms

MCF 2

| MR 90 B P21A 50 Hz | | | | | | | hp | kW | |
|------------------------|-----------|-------|------------|---------|--------|--------|----|------|-------|
| | 55 RCS 20 | m/min | 0 → 52 | 0 → 104 | 0 → 26 | 0 → 52 | 55 | 40,5 | 624 m |
| | | t | 4 | 2 | 8 | 4 | | | |
| | 50 VCS 20 | | 1 min 20 s | | | | 55 | 40 | |
| | RCV 60 | rpm | 0 → 0,7 | | | | 8 | 6 | |
| CEI 38 | | | IEC 38 | | kVA | | | | |
| 400 V (+6% -10%) 50 Hz | | | 120 kVA | | | | | | |

| MR 90 B P21A 60 Hz | | | | | | | hp | kW | |
|------------------------|-----------|-------|-----------|---------|--------|--------|-----|-----|-------|
| | 55 RCS 20 | m/min | 0 → 62 | 0 → 124 | 0 → 31 | 0 → 62 | 66 | 48 | 624 m |
| | | t | 4 | 2 | 8 | 4 | | | |
| | 50 VCS 20 | | 1 min 6 s | | | | 66 | 48 | |
| | RCV 60 | rpm | 0 → 0,8 | | | | 9,6 | 7,2 | |
| CEI 38 | | | IEC 38 | | kVA | | | | |
| 480 V (+6% -10%) 60 Hz | | | 145 kVA | | | | | | |

GB

- Hoisting
- Luffing
- Slewing



This commercial document is not legally binding.
For any technical information, please refer to the corresponding instructions.

Manitowoc
Crane CARE

Manitowoc
Crane Group



Americas
Tel : +1 888 479 7278
Tel : +1 717 593 2000

Europe – Middle East – Africa
Tel : +33 (0) 4 72 81 50 00
Tel : +44 (0) 191 522 2000

Asia – Pacific
Tel : +65 6264 1188
Fax : +65 6862 4142

www.manitowoccrane.com

Manitowoc Crane Group Asia Pte Ltd
Manitowoc Crane Group
4 Kwong Min Road
Singapore 628707
Tel: +65 6264 1188
Fax: +65 6862 4040
www.manitowoccrane.com

MR 90 B P21A
Réf. 2004 45 MCF 2

Copyright.Reproduction interdite © POTAIN 2004

Réalisation Secdoc